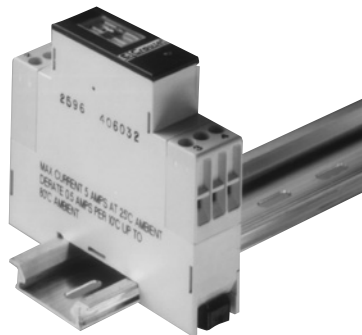


# DIGITAL I/O MODULES

## 17.5mm DIN-RAIL OUTPUT MODULES



### FEATURES:

- UL and cUL (E46203) Recognized
- CE Compliant
- DIN-Rail Mountable (17.5mm wide) Single Point Output Modules
- AC Output Rating 5 Amp at 12 to 280 VAC, with 350 Amp Single Cycle Surge Capability
- DC Output Rating 3 Amp at 5 to 60 VDC
- 4 to 32 VDC Input Current regulated
- Zero Voltage Turn-on for AC Module
- 4 kV Optical Isolation with LED Indicator
- Barrier Strips Accept 14 to 28 AWG Wire
- Configured for Panel Mounting

2

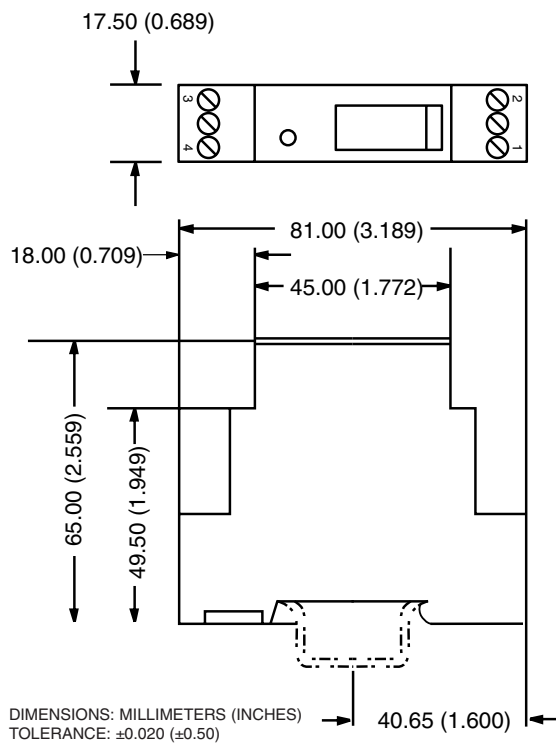
### OUTPUT SPECIFICATIONS: (1)

Model Number	84130105	84130108	84130104
<b>Parameter</b>			
Nominal Line Voltage	120/240 VAC		5-60 VDC
Minimum Line Voltage	12 VAC		5 VDC
Maximum Line Voltage	280 VAC		60 VDC
Max Off-State Voltage (3)	800 Vpeak		60 VDC
Max Off-State Leakage (4)	.1 mA		10 µA
Static Off-State dv/dt (5)	50 V / µ sec		N/A
Maximum Rated On-State Current (6)	5.0 Arms		3.0 A
Min On-State Current	50 mArms		10 mA
Max Surge Current (7)	350 Apeak		5.0 A
On-State Voltage Drop (8)	1.85 Vpeak		1.6 VDC

### INPUT SPECIFICATIONS: (1)

Model Number	84130105	84130108	84130104
<b>Parameter</b>			
Nominal Voltage			4-32 VDC
Minimum Voltage			4 VDC
Maximum Voltage			32 VDC
Drop-Out Voltage			1 VDC
Maximum Current (2)			22 mA
Resistance			Current Regulated

### DIMENSIONS:

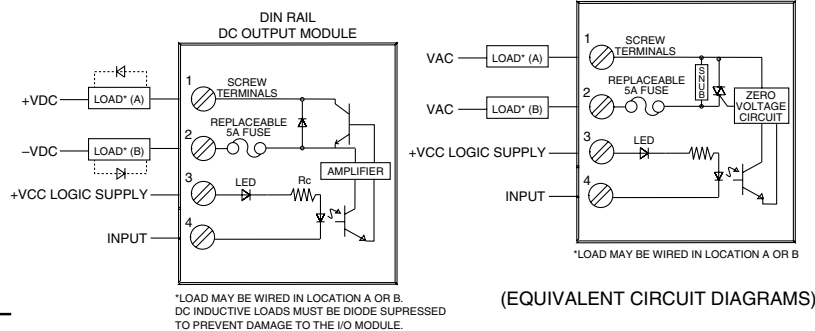


### GENERAL SPECIFICATIONS: (1)

Model Number	84130105	84130108	84130104
<b>Parameter</b>			
Operating Temperature Range	°C	-30 to 80	-30 to 80
Storage Temperature Range	°C	-40 to 100	-40 to 100
Maximum Turn-on Time (9) (11)	mSec	8.33	0.05
Maximum Turn-off Time (9)	mSec	8.33	0.05
Input/Output Isolation Voltage (10)	VAC	4000	4000
Input/Output Capacitance (typical)	pF	6	4
Line Frequency Range	Hertz	47 to 63	DC

#### Notes:

- (1) Specifications apply to an ambient temperature of -30 to 80°C unless otherwise noted.
- (2) Modules are current limited +/-10% at 25°C.
- (3) Maximum 1 minute duration for OAC modules when applied as a DC voltage rather than peak AC voltage.
- (4) At maximum line voltage, 25°C for OAC modules, and 80°C for ODC modules.
- (5) Minimum dv/dt per EIA/NARM RS443, method RS397. dv/dt ratings do not apply to ODC modules.
- (6) At 25°C, derate 84130105 modules by 46.9 mA/°C to 80°C; derate 84130104 modules by 21.5 mA/°C to 80°C.
- (7) At 25°C. Maximum duration: 1 AC cycle for OAC modules, 1 second for ODC modules.
- (8) At maximum rated on-state current and 25°C.
- (9) At maximum line voltage, maximum rated output current, nominal input voltage, 25°C. Switching speed of OAC modules based upon 60 Hz line frequency.
- (10) At 25°C for 1 second maximum duration.
- (11) For 84130108 turn-on time is 0.1 mSec.



Products and specifications subject to change without notice.  
Consult factory for application assistance.